

Q-WAVE Newsletter

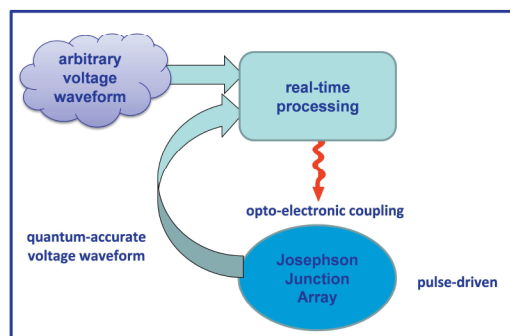
The newsletter from the EMRP project SIB59 Q-WAVE
A quantum standard for sampled electrical measurements



Issue 2
February 2015

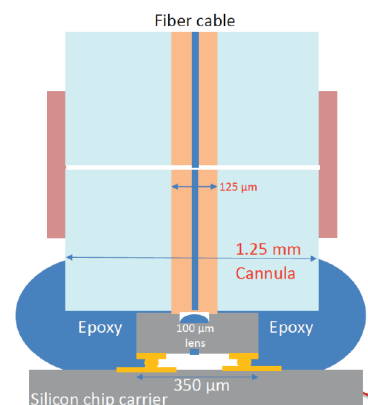
Q-WAVE: THE PROJECT

Quantum voltage standards based on the Josephson effect currently ensure the traceability to DC and low-frequency AC voltages. The aim of Q-WAVE is to enlarge the frequency range of quantum voltage standards and to provide direct and efficient traceability for precision devices up to 10 MHz. These significant improvements of high-precision voltage measurements are required amongst others by the rapid progress of semiconductor industry offering analogue-to-digital converters (ADC) and digital-to-analogue converters (DAC) with higher and higher sampling rates and accuracy.



RECENT ACHIEVEMENTS

- Josephson arrays developed
- Photodiodes selected
- Sampling methods investigated
- Error sources identified



QUANTUM EXPERT MEETING

We will present the project Q-WAVE at the EURAMET Meeting of Quantum Experts in Bern, Switzerland.

Visit our presentations during the meeting, 27 to 29 May 2015 and join us for discussions!

STAKEHOLDER MEETING

We will organise a stakeholder meeting prior to the EURAMET Quantum Expert Meeting.

Please take the opportunity to give us feedback!

Take the chance to direct our research activities!

JOIN THE STAKEHOLDER COMMITTEE

Being a member of the stakeholder committee implies only benefits for you and does not involve any obligation. You will keep informed about the developments in the project. More importantly, you can directly provide your input to the project through the committee. Interested? **EMAIL US!**

Not on the mailing list for the newsletter? **EMAIL US!**

ralf.behr@ptb.de or johannes.kohlmann@ptb.de

NEXT PROJECT MEETING

On 4 - 5 November 2015, we will hold our next project meeting in Torino, Italy. Let us know if you are interested in attending the public part!

WEBSITE & E-MAIL

More information:
www.ptb.de/emrp/qwave.html
johannes.kohlmann@ptb.de

